

OWNER'S MANUAL

Palsonic

**34CM CORDLESS REMOTE COLOUR TELEVISION
MODEL: 3430GM**



Type Tested
Electrical
Safety
AS/NZS 3250 Lic 4163
Standards Australia
APP No: N15957

**PALSONIC CORPORATION PTY LTD
1 JOYNTON AVENUE
WATERLOO NSW 2017 AUSTRALIA
TEL: (02) 9313 7111
FAX: (02) 9313 7555
www.palsonic.com.au**

**PALSONIC CUSTOMER SERVICE
TELEPHONE
AUSTRALIA: 1300 657 888**

**Congratulations on your purchase of this
Palsonic colour television receiver.**

**We recommend that you thoroughly read this
manual before use to fully enjoy the many
functions and excellent effects of this receiver.**

**Retain this manual in an easily accessible
location for future reference.**

**Screen displays and illustrations in this
manual may differ from the actual ones
for better visibility.**

Contents

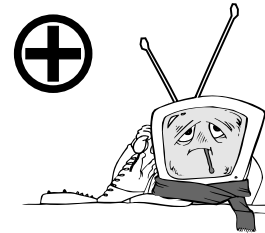
Features	1
Important Safety Cautions	2
Identification of Controls	4
Front view	4
Back view	5
Remote control	6
Battery installation	7
Effective range of the remote	7
Installation	8
Antenna installation	8
Connect to video and audio equipment	9
Operations	10
Menu introduction	10
Power on	11
Power off	11
Selecting input signal	12
Tuning In	13
Auto search	13
Manual search	13
Channel skipping	14
Fine tuning	14
Channel exchange	15
Setting colour system	15
Setting sound system	15
Selecting channel	16
Use digit buttons	16
Use CH+/- buttons	16
Use previous \Leftarrow button	16
Picture controls	17
Sound controls	18
Use VOL+/-	18
Use \otimes button	18
Clock setting	19
Sleep timer	19
Clock setting	19
On Timer setting	19
On channel setting	20
Off Timer setting	20
System setting	21
Blue background	21
OSD Language	21
Calendar	21
Playing game	22
Menu demonstration	23
Troubleshooting Guide	24
Specifications	25

- ▶ **Intellectualized I²C-bus control**
- ▶ **Digital AFT Technology**
- ▶ **Four Picture Modes**
- ▶ **Two groups of Video/Audio input terminals**
- ▶ **One group of DVD input terminals**
- ▶ **English/Chinese on-screen display**
- ▶ **Full function remote control**
- ▶ **Hyperband**
- ▶ **Channel exchange**
- ▶ **On timer/Off timer**
- ▶ **Game**
- ▶ **Calendar**

Important Safety Precautions

Safety Precautions

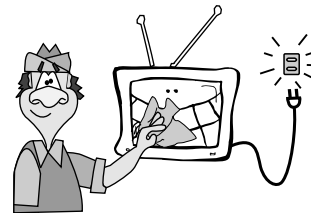
- ◆ *When any unusual situation occurs, turn off the power supply at once and remove the plug from the wall outlet. Contact a qualified service department in your local area.*



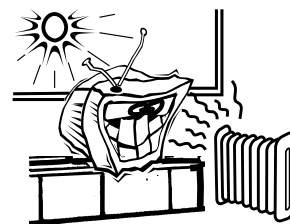
- ◆ *Do not expose the TV set to rain or excessive moisture. Avoid using the set in very warm or damp places and never use it in a bathroom.*



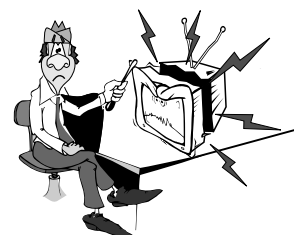
- ◆ *When cleaning dust off the picture tube disconnect the power first. You can wipe lightly with a piece of dry, clean and soft cloth.*



- ◆ *Avoid exposing the set to direct sunlight and other sources of heat to prevent damage to the cabinet and components.*

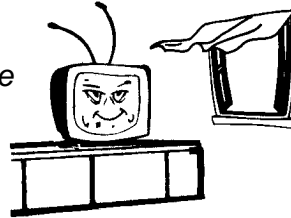


- ◆ *High voltage exists in this TV set. Do not remove the cover.*

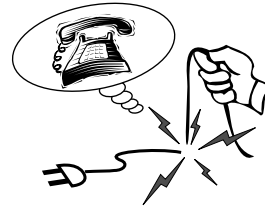


⚠ This TV set can operate on a power of ~240V, 50Hz. You must not use a power supply of any other type.

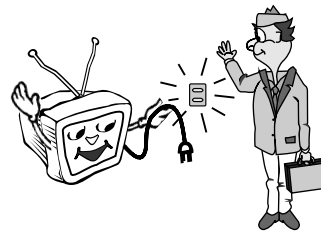
◆ Do not cover the ventilating hole in the cabinet
Keep a space of more than 10cm from the walls to the TV set to ensure adequate ventilation.



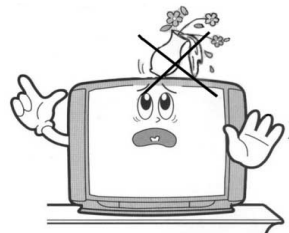
◆ If the power cord or the plug is damaged contact a qualified service department for service.



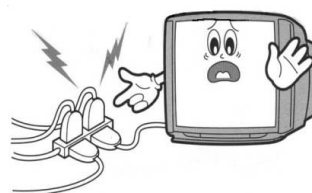
◆ When the TV set is to be left unattended for a long period of time, turn off the power supply and remove the plug from the wall outlet.



◆ Don't try to push anything into the cabinet or place any vessel with water on the TV set.



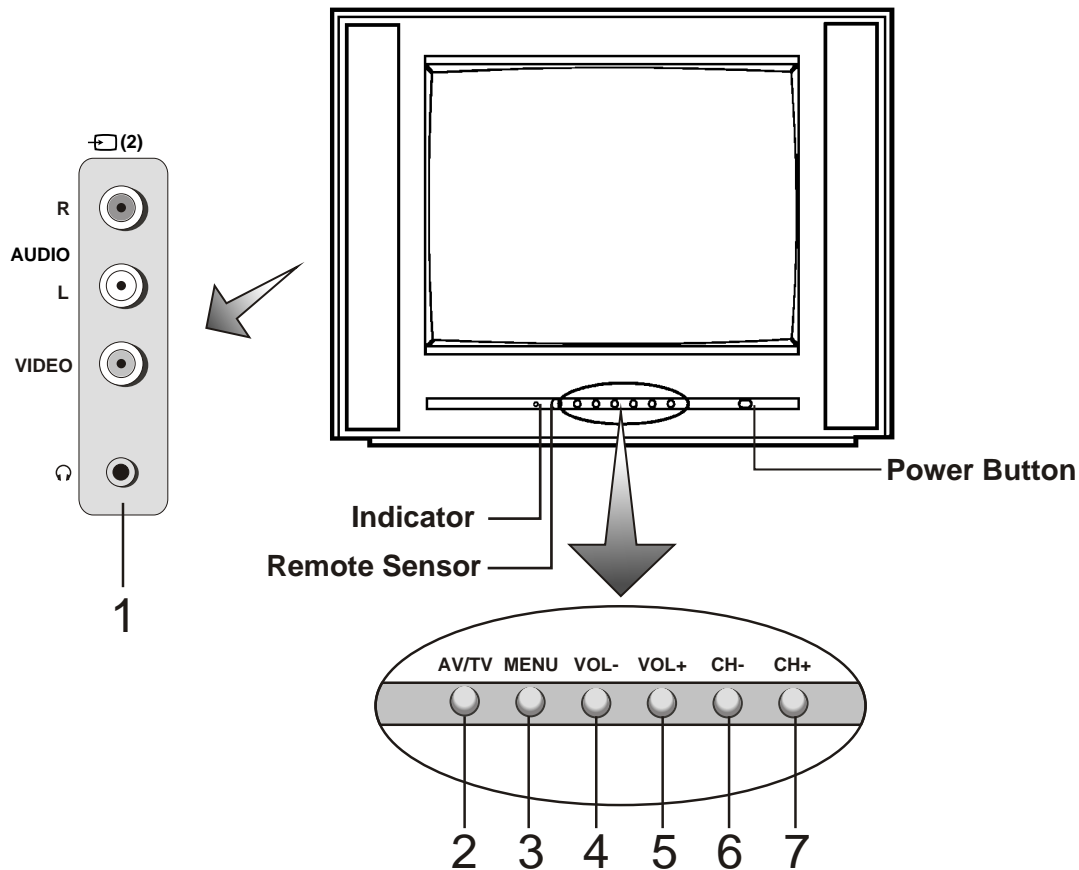
◆ Don't overload wall outlets; extension cords, or integral convenience receptacles as this can result in a risk of fire or electric shock.



Identification of Controls

Front view/Back view

Front view



1. : Earphone Jack

AV input terminals (VIDEO, AUDIO: L/MONO, R)

2. AV/TV button: video input select.

3. MENU button: to enter into menu operation.

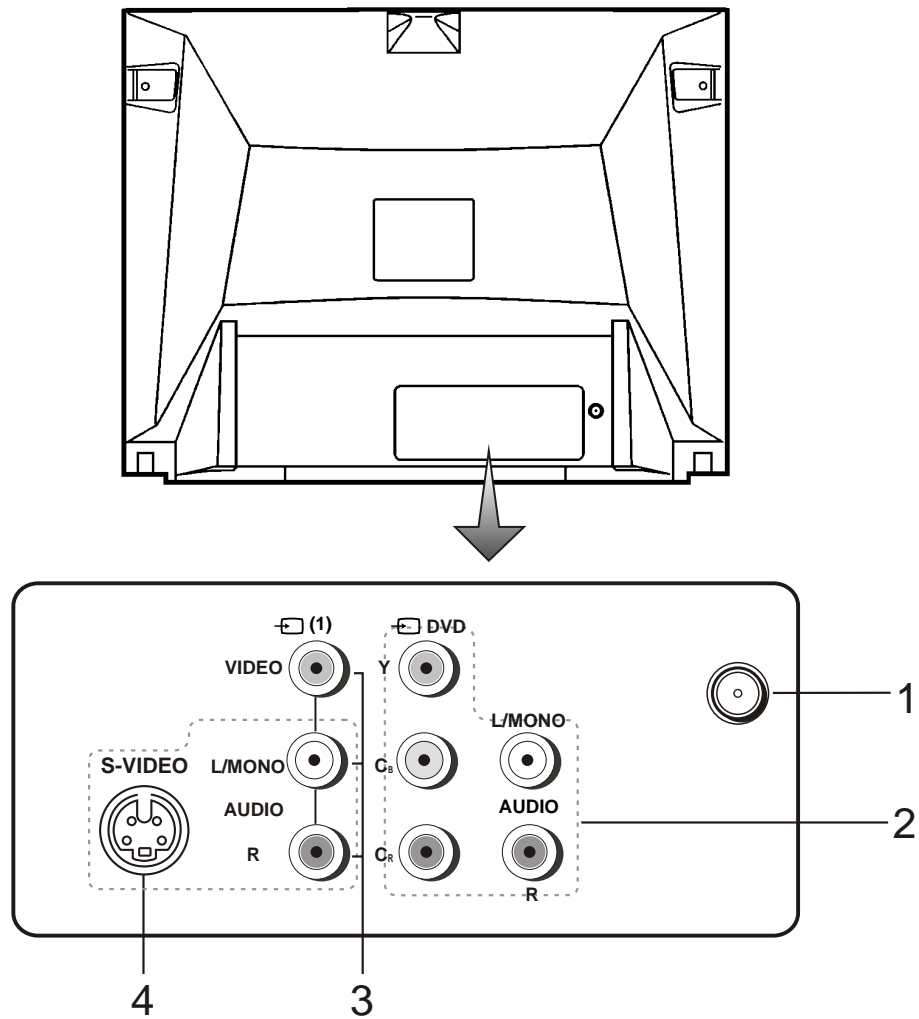
4. VOL- button: volume down adjust; menu item adjust.

5. VOL+ button: volume up adjust; menu item adjust.

6. CH- button: channel down select; menu item select.

7. CH+ button: channel up select; menu item select.

Back view



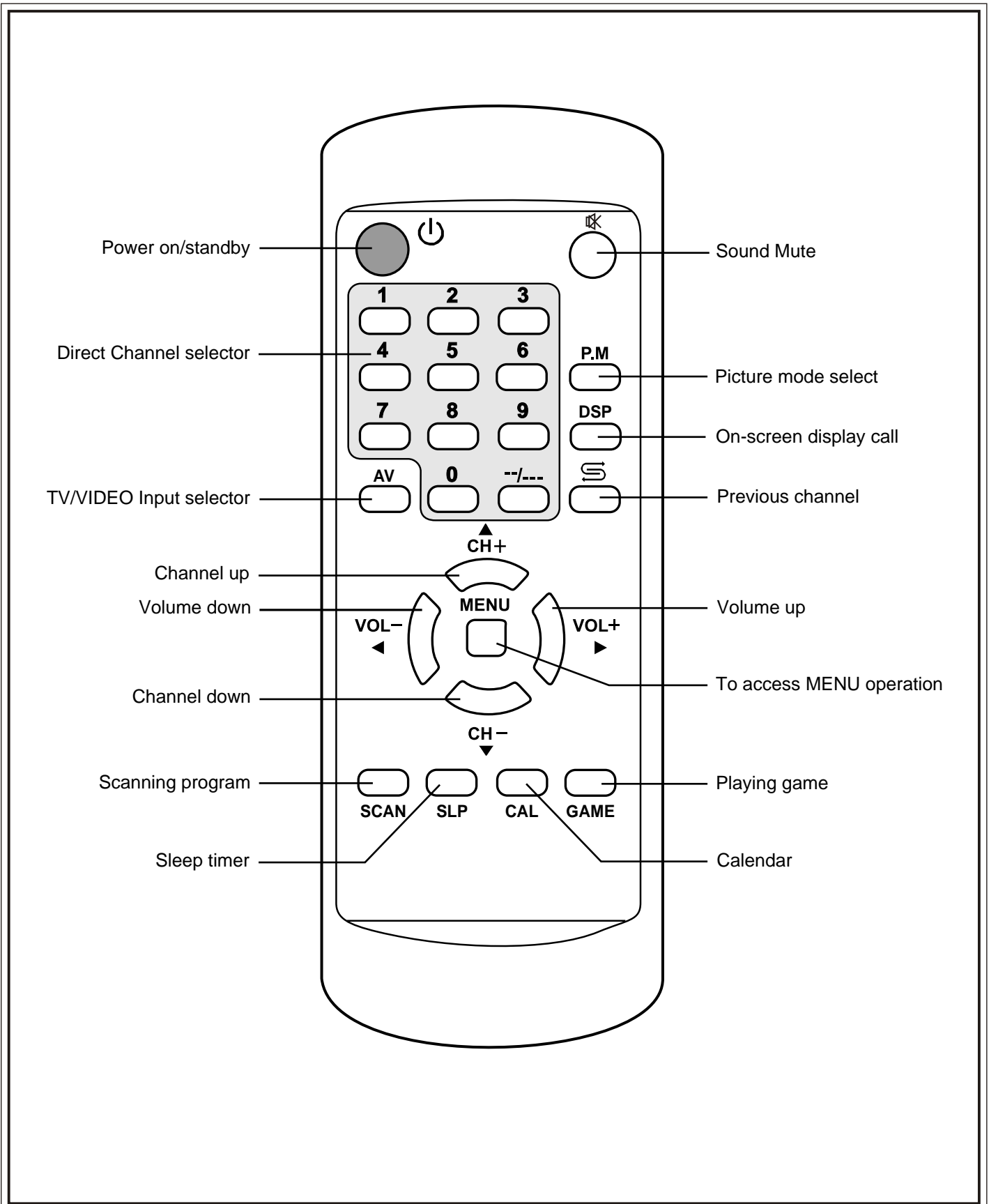
1. Antenna input
2. DVD input (Y, C_B, C_R, AUDIO: L/MONO, R)
3. AV input (VIDEO, AUDIO: L/MONO, R)
4. S-VIDEO input

! Notes:

The S-VIDEO terminal is prior to the VIDEO terminal, if you want to watch a video program from the VIDEO input terminal, please disconnect the S-VIDEO first.

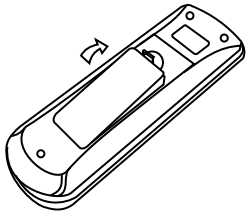
Identification of Controls (continued)

Remote Control



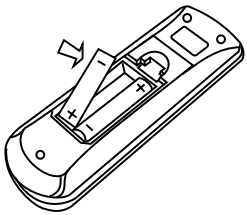
Battery Installation

1



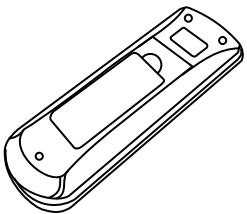
Open the battery cover.

2



Install two "AA" batteries matching the +/- polarities of the battery to the +/- marks.

3

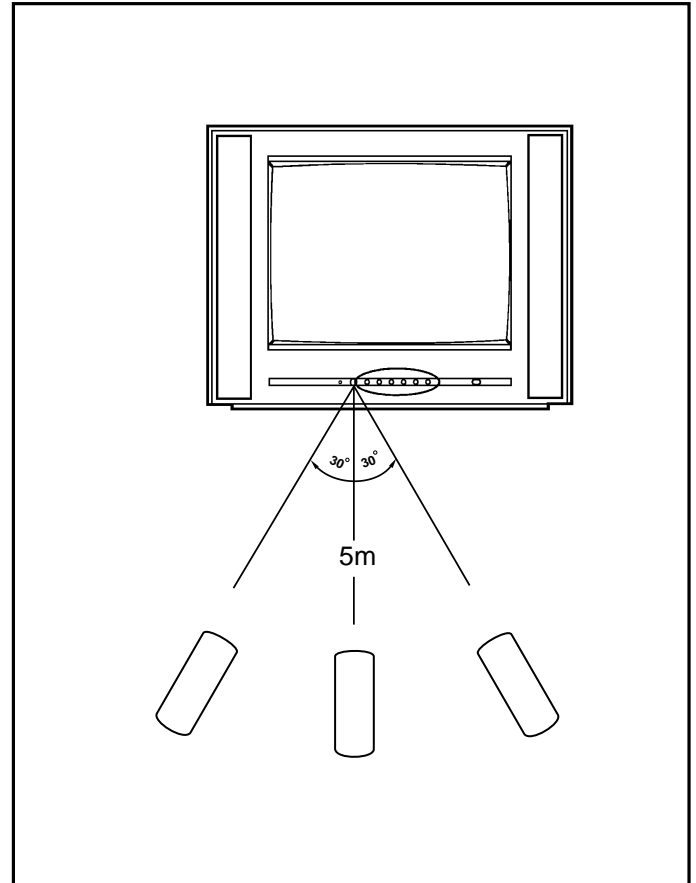


Replace the battery cover.

! Notes:

1. When the remote control will not be used for a long period of time or when the batteries are worn out, remove the batteries.
2. Do not drop or dampen the remote control.
3. Do not disassemble the remote control.

Effective range of the Remote Control



! NOTES:

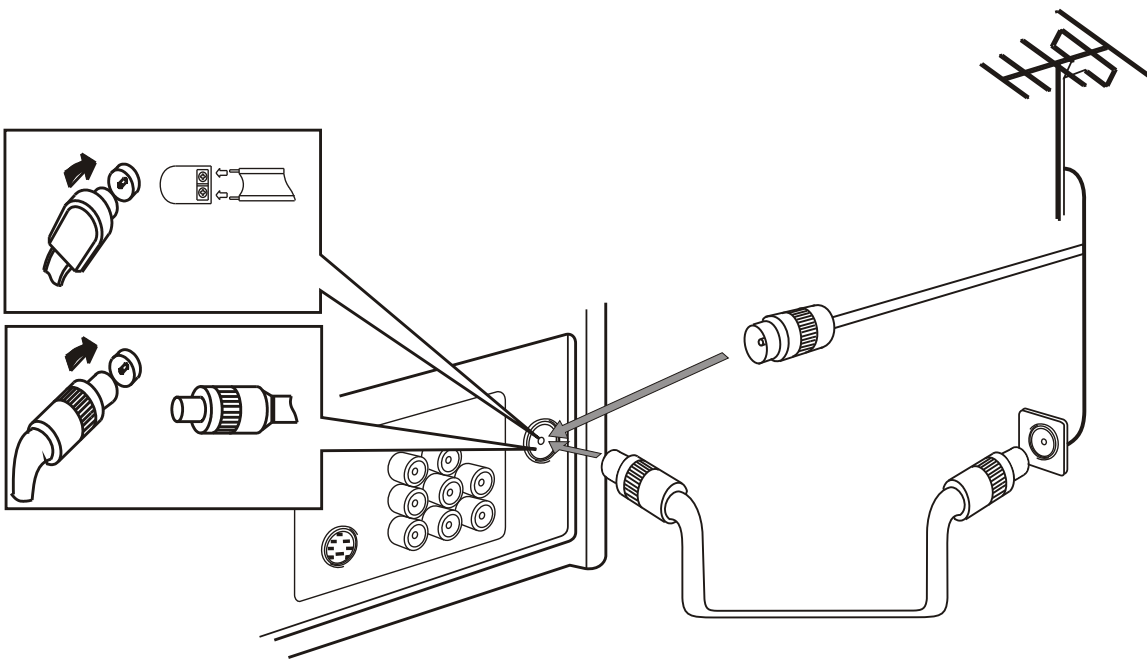
1. There should be no obstacle between the TV and the transmitter.
2. Use the remote control within the effective range as the above figure.
3. If the remote control does not work, please check whether the batteries are exhausted or the polarity is wrong.
4. When direct sunlight, and incandescent lamp, fluorescent lamp or any other strong light shines on the remote sensor of the TV, the remote operation may be unstable.

Installation

Antenna installation/Connect to video and audio equipment

Antenna installation

Optimum reception of colour requires a good signal and will generally mean that an outdoor antenna must be used. The exact type and position of the antenna will depend upon your particular area.



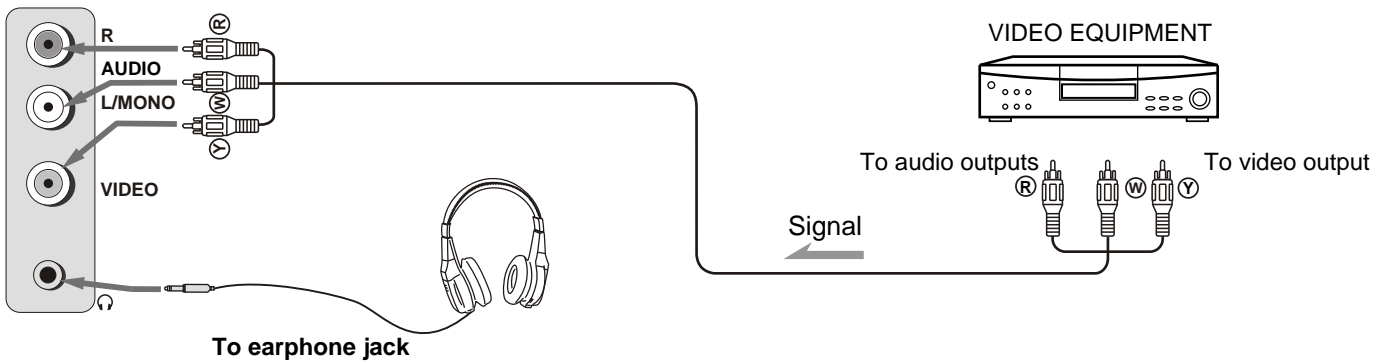
! Notes:

Turn off the power first, when you connect an outdoor antenna to the antenna input terminal. When installing an outside antenna system, extreme care should be taken to keep from touching power lines or circuits as contact with them might be fatal. In thunder and lightning weather, please disconnect the outdoor antenna to avoid thunder/lightning strike.

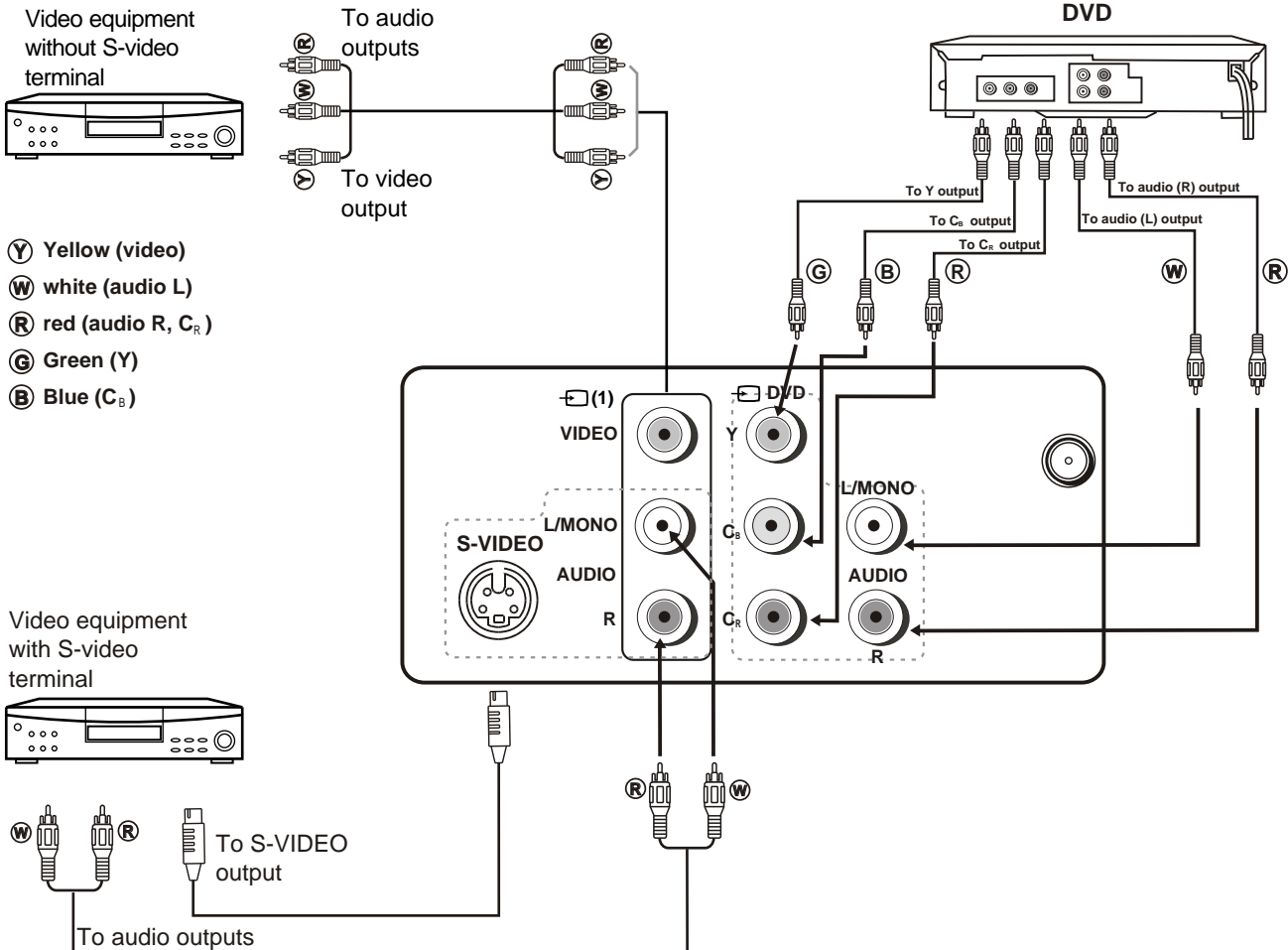
Connecting video and audio equipment

This TV set provides 2 groups of AV input terminals and 1 group of DVD terminal for your convenient connection to VCR, DVD or other video equipment to enjoy the high quality picture. Please refer to the owner's manual of the equipment to be connected as well.

Connect to the side AV input terminals



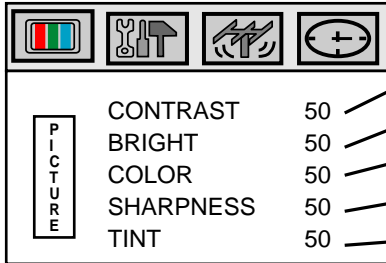
Connect the rear AV and DVD input terminals.



In menu operation, press **CH+/-** to select item, press **VOL+/-** to adjust selected item. Press **MENU** button again or wait for several seconds to exit menu.

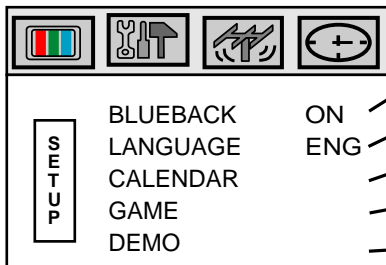
Menu Introduction

Press MENU button



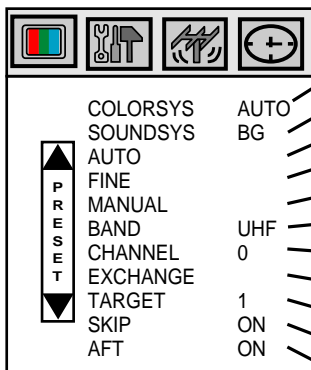
- To adjust the picture's contrast.
- To adjust the picture's brightness.
- To adjust the picture's colour.
- To adjust the picture's sharpness.
- To adjust the picture's skin colour.
(This item is available only in NTSC)

Press VOL+ button



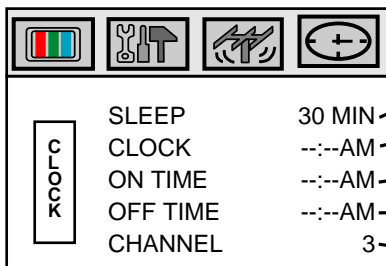
- To set blue background.
- To set OSD language.
- To access calendar.
- To play game.
- To demonstrate some functions of the TV.

Press VOL+ button



- To set the colour system.
- To set the sound system.
- To search program automatically.
- To fine tune manually.
- To search program manually, it stops if a certain program is found.
- To select the band for current channel.
- Current program number.
- To exchange programs in current channel and target channel.
- To set target channel.
- To set channel skip.
- To Fine tune automatically.

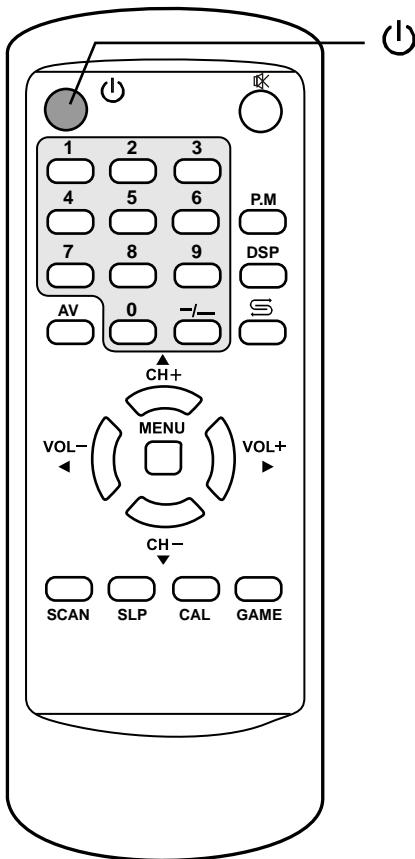
Press VOL+ button




- To set sleep timer.
- To set current time.
- To set ON timer.
- To set OFF timer.
- To set ON timer program.

Power On/Power Off

Power On/Power Off



Turning On


- 1 Press the **POWER SWITCH** on the TV set.
- 2 If no picture appears and the red indicator lights up, the TV set is in **STANDBY** mode. Press  button on the remote control, then the TV set is turned on.
- 3 When the TV set is in **STANDBY** mode, you can also press the **CH+/-** buttons on the TV set to turn on the TV.



Note:

If there is no input signal to the TV when the TV is on, blue background will appear on the screen. (when the **BLUEBACK** is set to **ON**). After 15 minutes if there are still no TV signals to the TV, it will access standby mode automatically.

Turning Off

- 1 Press the **POWER SWITCH** on the TV set if you want to cut off the power completely.
- 2 If you want to turn off the TV set temporarily, press the  button on the remote control and the TV is in **STANDBY** mode.

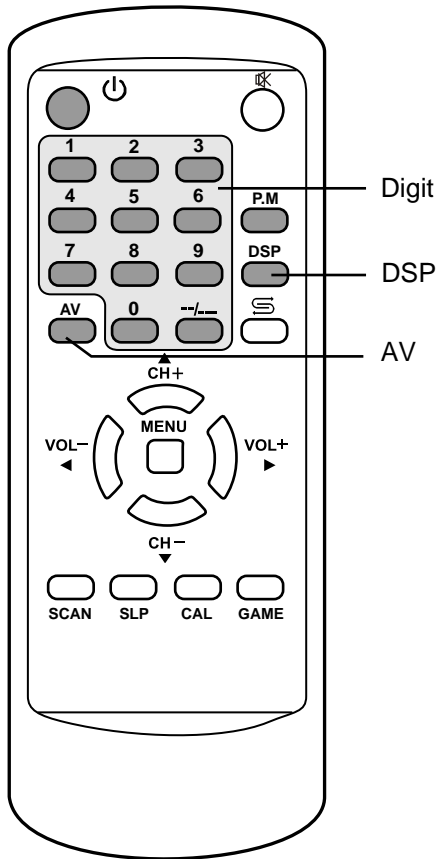


Notes:

There are three kinds of Auto Power-off function:

1. When there is no input signal for 15 minutes.
2. Sleep-timer function.
3. Off-timer function

Selecting Input Signal



Selecting Input Signal

- 1 Press **AV** button repeatedly. The screen displays input signal source **AV1/AV2/YUV/TV**. Select the input signal source you need.
- 2 In AV mode, you can press the **digit** buttons to switch back to TV mode.
- 3 Press **DSP** button. The screen displays current state. Press again to cancel.

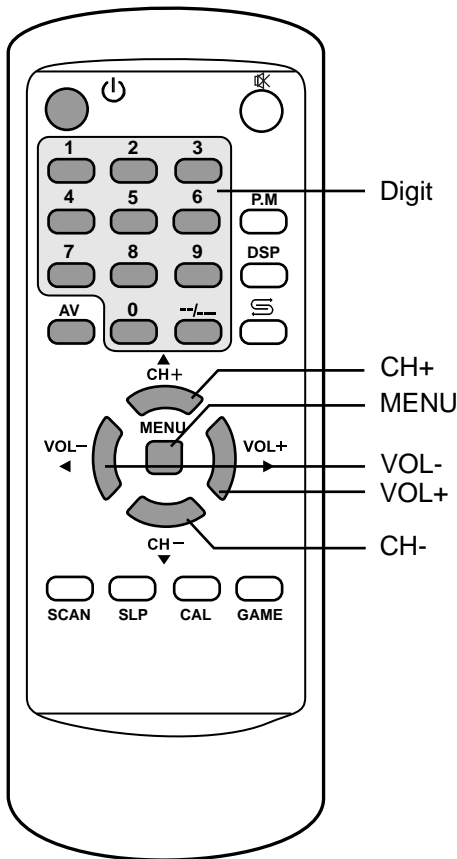
1 Press **MENU** button.

2 Press **VOL+/-** buttons to select **PRESET** menu.

3 Press **CH-** button to access **PRESET** menu.

Tuning In

Auto search/Manual search



Auto search

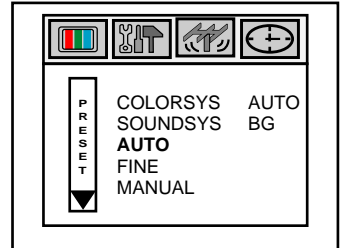
Access **PRESET** menu.

Press **CH+/-** buttons to select **AUTO**.

Press **VOL+/-** buttons and the TV set starts Auto channel preset. All active channels will be preset and stored into the memory automatically. After presetting, the TV will display the first channel.

During the process of Auto channel preset, pressing the **MENU** button or the **VOL+/-** buttons will stop the process.

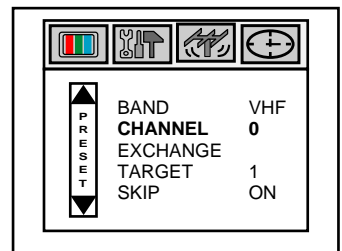
Note: Before you start Auto Search, we recommend you to set a proper Sound System according to your local area.



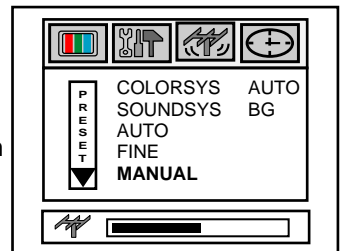
If desired channel can not be preset by Auto search or if you would like to preset channels to specific position numbers one by one, use manual search function.

Manual search

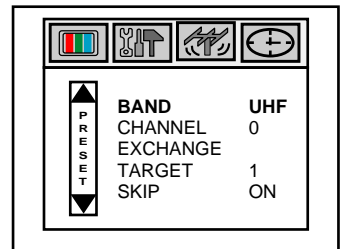
Firstly please select a channel number with **digit** buttons or **CH+/-** buttons. You can also access **PRESET** menu, select **CHANNEL** item and adjust with **VOL+/-** button manually to select the desired channel number (from 0~255).



In **PRESET** menu, select **MANUAL** item. Press **VOL+** button, the set searches towards higher frequency. Press **VOL-** button, the set searches towards lower frequency. The search stops when a program is found and this program will be stored in the specified position number.



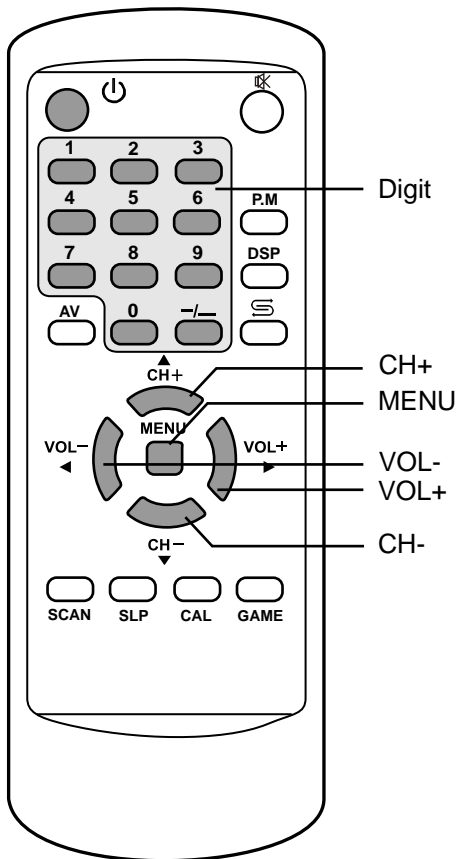
You can use band selection to quicken search process. Select **BAND** item and press **VOL+/-** buttons. The band switches among VLF, VHF and UHF. Then select **MANUAL** item and press **VOL+/-** buttons to start manual search.



Repeat the above steps if you want to store another program in other position number.

Tuning In (continued)

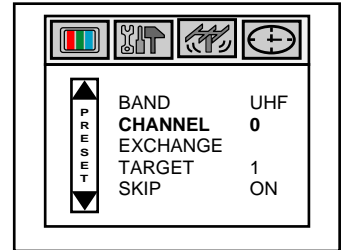
Channel skipping/Fine tuning



After presetting the channels, you can skip unnecessary position numbers so that only the channels you want are selected.

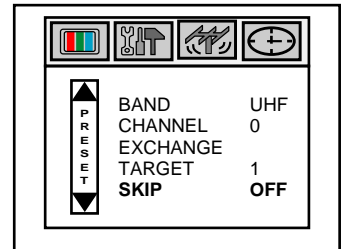
Channel skipping

Please select a channel number with **Digit** buttons or **CH+/-** buttons. You can also access **PRESET** menu, select **CHANNEL** item and select a channel number with **VOL+/-** buttons.



In **PRESET** menu, please select **SKIP** item and press **VOL+/-** buttons to select **ON**.

Now the selected channel will be skipped when you browse channels by **CH+/-** buttons.



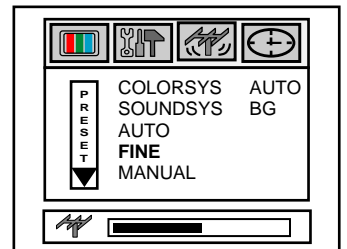
To restore a skipped channel, please exit menu first and use **Digit** buttons to select the skipped channel number. Then access the **PRESET** menu, select **SKIP** item and set it to **OFF**.

When picture and sound's effect of a channel is poor (for example: one or two CATV channel's picture and sound are not standard), you can correct them by making use of Fine tuning.

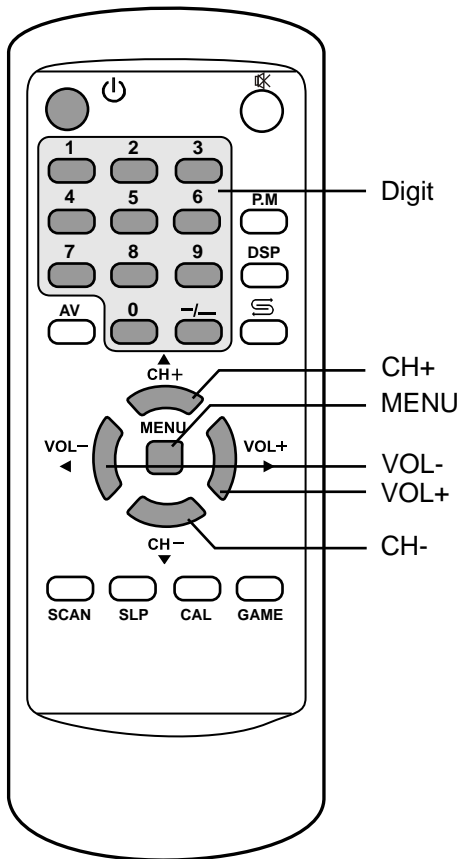
Fine tuning

Please select a desired channel number with **Digit** buttons or **CH+/-** buttons. You can also access **PRESET** menu, select **CHANNEL** item and select the channel by **VOL+/-** buttons.

In **PRESET** menu, select **FINE** item, then press and hold **VOL+/-** buttons until the best picture and sound are obtained.



Channel exchange/Setting colour system/Setting sound system



After channel presetting, you can edit the order of the programs by using the channel exchange function.

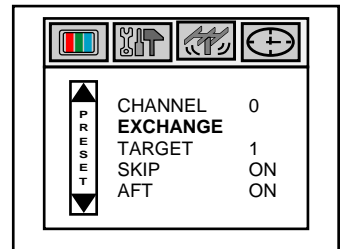
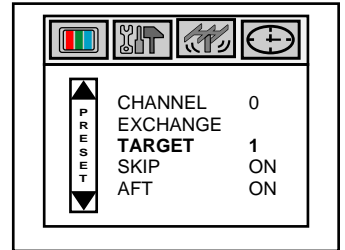
Channel exchange

Access **PRESET** menu and select **TARGET** item.

Press **VOL+/-** buttons to select a target channel number that you would like to exchange with the current channel. Then select **EXCHANGE** item and press **VOL+/-** buttons to confirm.

Now the programs in the current channel, and target channel will exchange.

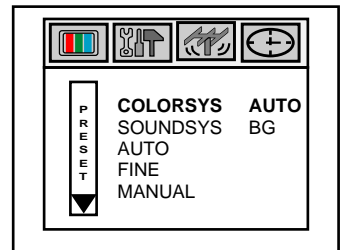
You can select the current channel in the **PRESET** menu by adjusting **CHANNEL** item.



If the picture's colour is abnormal, you can adjust colour system as follows.

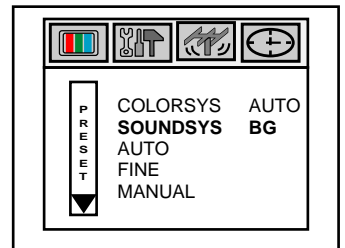
Setting colour system

Access **PRESET** menu and select **COLORSYS** item. Press **VOL+/-** button to select a proper colour system.



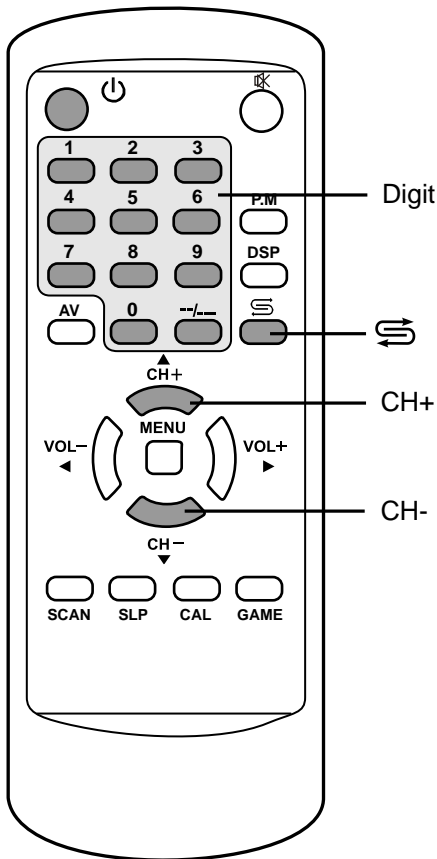
Setting sound system

In **PRESET** menu, select **SOUNDSYS** item. Press **VOL+/-** buttons to select a proper sound system.



Selection Channel

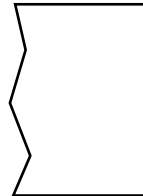
Use 0-9 buttons and --/-- buttons/Use CH+/- Buttons/Use the PREVIOUS button



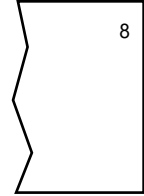
1 Use Digit buttons

To select one-digit channel

Press --/-- button to display "--".



Press 0-9 direct channel selector.

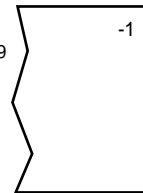


To select two-digit channel

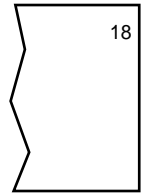
Press --/-- button repeatedly to display "--".



Press 1-9 buttons.

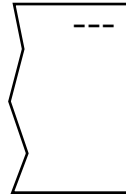


Press 0-9 buttons.



To select three-digit channel

Press --/-- button repeatedly to display "---".



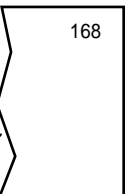
Press 1-2 buttons.



Press 0-9 buttons.



Press 0-9 buttons.



! Note: The maximum channel number is 255, the set does not act if the channel number you input is out of the range of 0~255.

2 Use CH+/- buttons

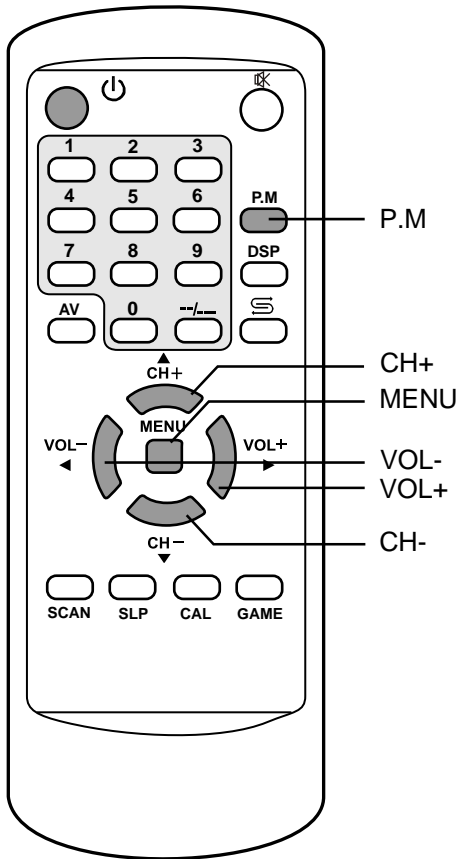
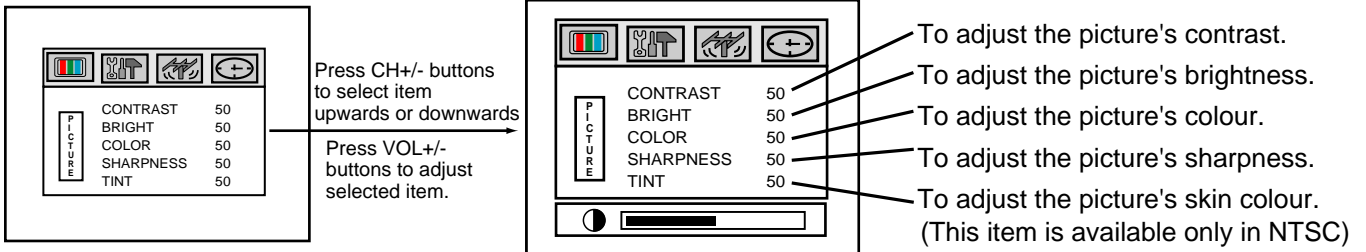
Press **CH+** button, the channel number increases;
Press **CH-** button, the channel number decreases.

3 Use previous channel button

Press button to switch between the current channel and previous channel.

Picture Controls

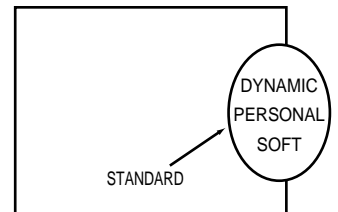
Contrast/Brightness/Colour/Sharpness/Tint



- 1 Press **MENU** button to display **PICTURE** menu.
- 2 Press **CH+/-** buttons to select item upwards or downwards.
- 3 Press **VOL+/-** buttons to adjust selected item.

Item	VOL-	VOL+
CONTRAST	weaker	stronger
BRIGHT	darker	lighter
COLOR	paler	deeper
SHARPNESS	softer	sharper
TINT	purplish	greenish

- 4 You can press **P.M** button to select picture mode: **STANDARD**, **DYNAMIC**, **SOFT**, **PERSONAL**.



Item	Picture mode		
	STANDARD	DYNAMIC	SOFT
CONTRAST	75	100	50
BRIGHT	75	75	50
COLOR	50	75	50
SHARPNESS	50	50	50
TINT	50	50	50

! Notes:

1. The item **TINT** is for NTSC only.
2. The above parameters maybe different in different models.


Sound Controls


Adjusting the volume and muting the sound

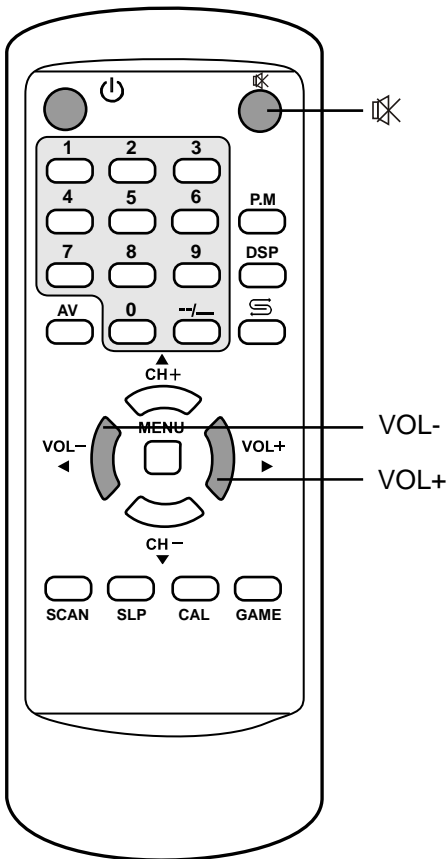
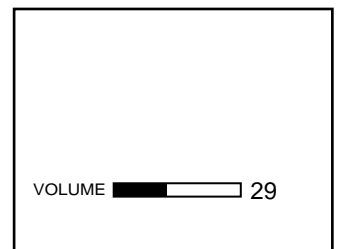
1 Use VOL+/- buttons

Press **VOL+** button to increase the volume.
Press **VOL-** button to decrease the volume.

2 Use button.

Press  button to mute the sound completely and the screen displays **MUTE**.

Press  button again to restore and the **VOLUME** bar appears.



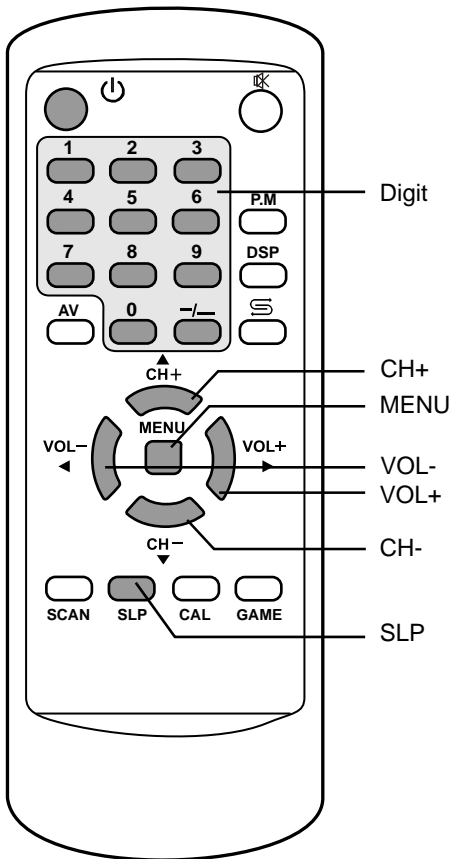
1 Press **MENU** button.

2 Press **VOL+/-** buttons to select **CLOCK** menu.

3 Press **CH-** button to access **CLOCK** menu.

Clock Setting

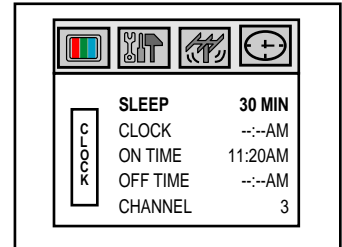
Sleep Timer/Clock Setting/On Timer Setting



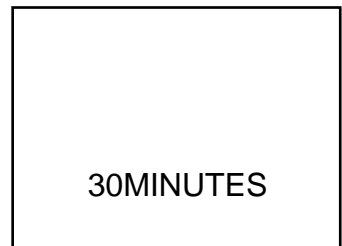
Sleep timer

Access **CLOCK** menu and press **CH+/-** buttons to select **SLEEP** item.

Press **VOL+/-** buttons to select between 0, 30, 60, 90, 120, 150 and 180. When the sleep time elapses, the TV set goes to **STANDBY** automatically.



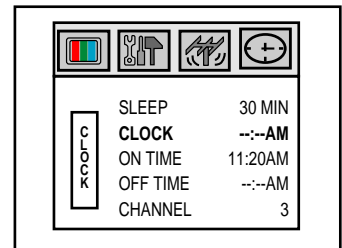
You can also set the sleep time by using **SLP** button directly.



Clock setting

Access **CLOCK** menu and select **CLOCK** item.

Press **VOL+/-** buttons to set **AM** or **PM**. Press **Digit** buttons directly to set current time for the TV.

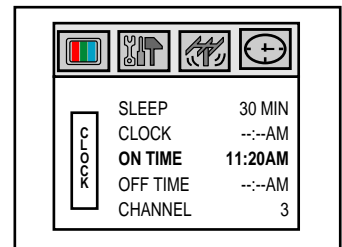


! Note: The **ON TIME** and **OFF TIME** can be set only after you finish setting the **CLOCK** item.

On timer setting

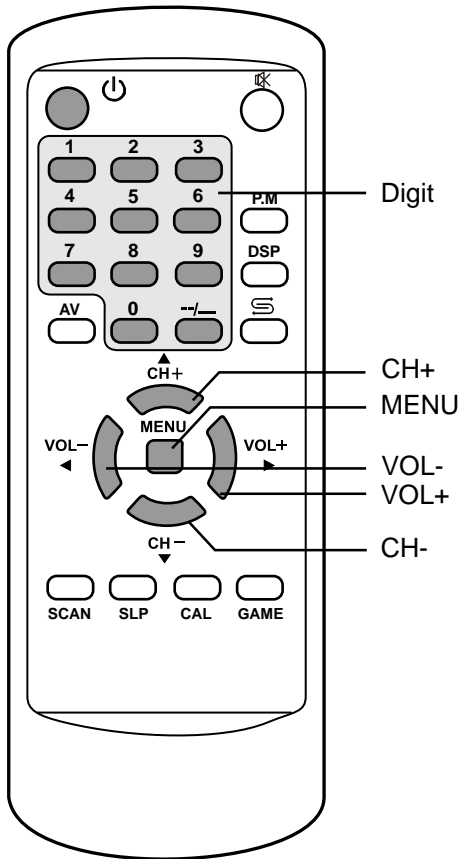
Access **CLOCK** menu and select **ON TIME** item.

Press **VOL+/-** buttons to set **AM** or **PM**. Press **Digit** buttons to set ON time. In **STANDBY** mode, the TV set auto turns on when your preset ON time elapses.



Clock Setting (continued)

On channel Setting/Off timer Setting



On Channel Setting

Please set **ON TIME** before setting **CHANNEL**.

Access **CLOCK** menu and select **CHANNEL** item.

Press **VOL+/-** buttons or **Digit** buttons to select a channel number. When the preset ON time elapses, the set auto turns on and goes to the preset channel.

CLOCK	SLEEP	30 MIN
	CLOCK	--:--AM
	ON TIME	11:20AM
	OFF TIME	--:--AM
	CHANNEL	3

Off timer setting

Access **CLOCK** menu and select **OFF TIME** item.

Press **Digit** buttons to set **OFF** time directly. The TV set in working mode goes to STANDBY mode automatically when the OFF time elapses.

CLOCK	SLEEP	30 MIN
	CLOCK	--:--AM
	ON TIME	11:20AM
	OFF TIME	--:--AM
	CHANNEL	3

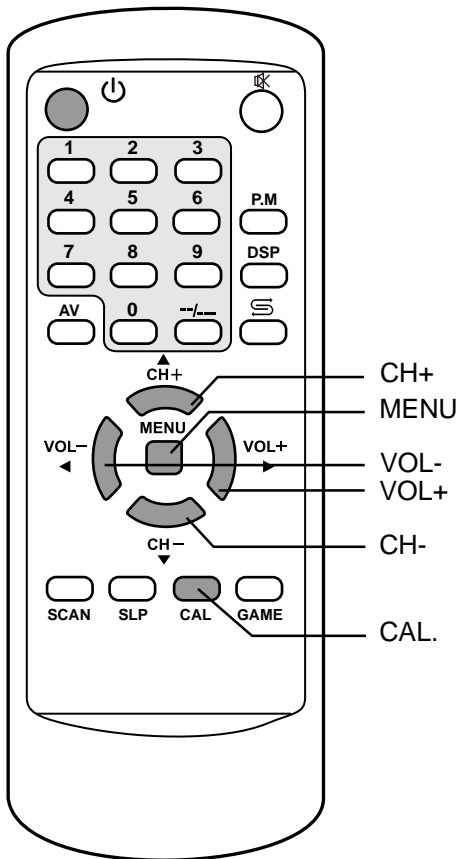
Notes:

- (1) Once the functions of ON TIME or OFF TIME fulfil, you need to set the **ON TIME** or **OFF TIME** again if you want to use this function next time.
- (2) After you finish setting OFF TIME item, if the set auto goes to STANDBY because there is no signal input for a continuous 15 minutes, or if you turn off manually, then the preset OFF TIME and SLEEP will be cancelled. As the same way, turn on the set in advance will cancel the ON TIME and Channel settings.
- (3) Once you turn off the set by press the Power Switch, all settings in the clock menu page will be cancelled in next time's turning on.

- 1 Press **MENU** button.
- 2 Press **VOL+/-** buttons to select **Setup** menu.
- 3 Press **CH-** button to access **Setup** menu.

System Setting

Blue background/OSD Language/Calendar

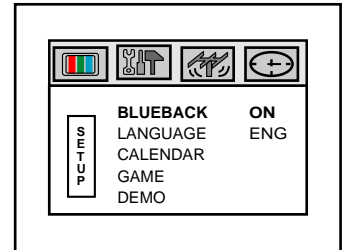


Blue background

Access **SETUP** menu. Press **CH+/-** buttons to select **BLUEBACK** item.

Press **VOL+/-** buttons to select **ON** or **OFF**. If you select **ON**, when there is no signal or signal is too poor, then a blue background will appear.

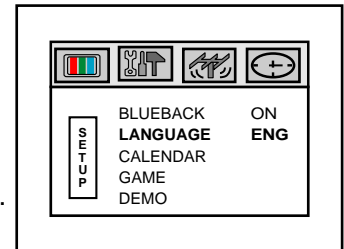
If you select **OFF**, when there is no signal, the screen displays noisy picture.



OSD Language

Access **SETUP** menu. Press **CH+/-** to select **LANGUAGE** item.

Press **VOL+/-** buttons to select OSD language.



Calendar

Access **SETUP** menu. Press **CH+/-** buttons to select **CALENDAR** item.

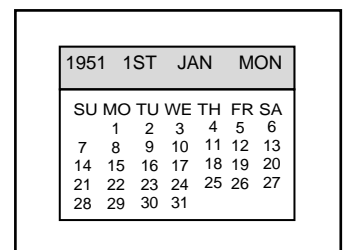
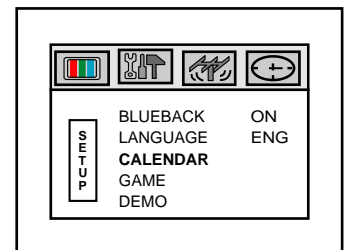
Press **VOL+/-** buttons to access calendar interface.

You can also press **CAL.** button directly to access calendar interface.

Press **VOL+/-** buttons to select **year, month** or **date**. Press **CH+/-** buttons to adjust.

The calendar is from 1951 to 2050.

Press **MENU** button repeatedly to exit **CALENDAR**.



System Setting (continued)

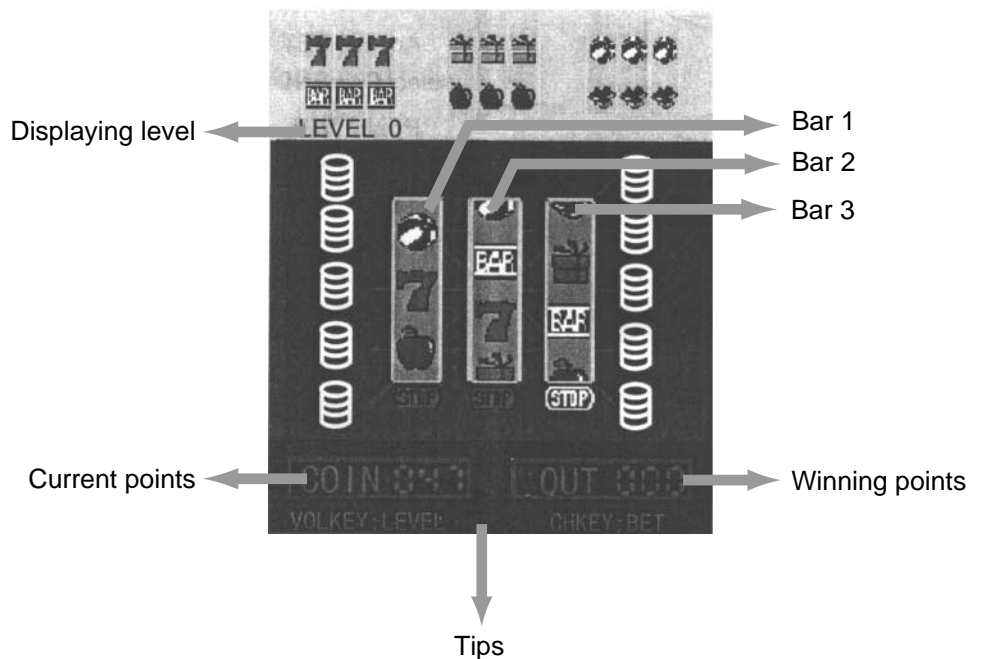
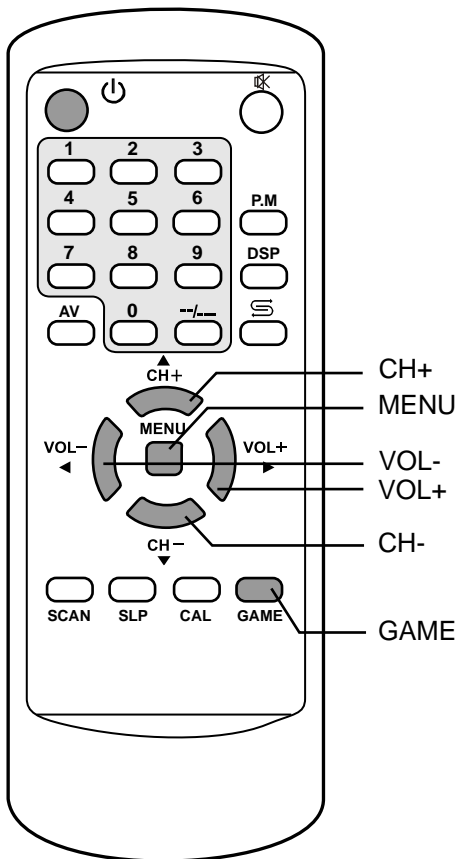
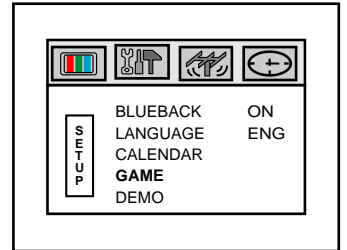
Playing games/Menu demonstration

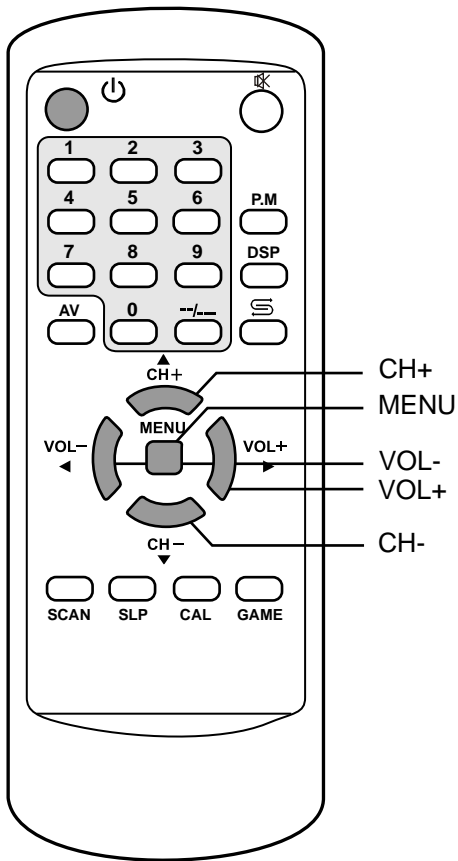
Playing game

Access SETUP menu. Press **CH+/-** buttons to select **GAME** item and press **VOL+/-** buttons to access game interface. You can also access game interface by pressing **GAME** button directly.

In game interface, press **VOL+/-** buttons to select game level (0~4). The higher the level, the faster the bars roll.

Press **CH+/-** buttons to select desired array. Every time you select, you will be deducted 1 point. Press **VOL+/-** buttons to start the game and the bars roll. Press 1, 2, 3 Digit buttons to stop left, middle, right bar respectively. If there are three same articles in the selected array, you will gain 15 points.



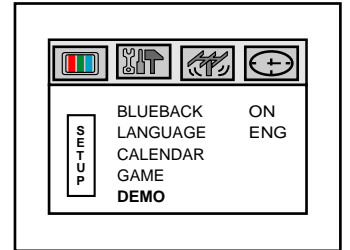


Menu demonstration

Access **SETUP** menu. Press **CH+/-** buttons to select **DEMO** item.

Press **VOL+/-** buttons, then TV set demonstrates menu operation.

Press any button to stop it.



Troubleshooting Guide

Troubleshooting Guide

Before calling service personnel, please check the following chart for a possible cause to the trouble you are experiencing.

Symptoms	Check the following items
Power is not turned on	<ul style="list-style-type: none">□ Be sure the power cord is plugged in.
Poor colour, poor tint	<ul style="list-style-type: none">□ Contrast, colour, tint are not correctly adjusted
Spots appear on the screen	<ul style="list-style-type: none">□ Possible interferences of automobiles, motorcycle, trolley bus, neon lamps, etc.
Stripes appear on the screen	<ul style="list-style-type: none">□ Possible interference of electronic interference from another TV set, a computer, an electronics game machine, a broadcast station, etc.
Double images or "ghosts"	<ul style="list-style-type: none">□ This may be caused by reflections from nearby mountains or buildings.□ Check the antenna direction.
Snowy picture	<ul style="list-style-type: none">□ It is possible that the aerial "lead-in" is damaged or comes off.□ Check the antenna direction.
Remote controller does not work	<ul style="list-style-type: none">□ The batteries may be worn out.□ The batteries may be installed with their polarity reversed.
TV cabinet creaks	<ul style="list-style-type: none">□ Even if the picture or the sound is normal, changes in room temperature sometimes makes the TV cabinet expand or contract, making a noise. This does not indicate a malfunction.
Unevenness in colour in some parts of the screen	<ul style="list-style-type: none">□ When the set is switched on, do not shift or move the set around. Sometimes it may develop an unevenness in colour in some parts of the screen. This can be eliminated by switching off the set with the POWER switch and wait for 10 minutes before switching on again.

Specifications

Specifications

Power Supply: AC 240V, 50Hz
Power Consumption: 60W
Dimensions (mm): 436 (W) x 340 (H) x 380 (D)
Weight (kg): 12
CRT: 34cm

TV system & channel range

System	VHF	UHF	CATV
PAL-B/G	2-12	21-69	X~Z+2,S1~S41

Colour System: PAL, NTSC (AV)
Sound output: 2.5W x 2
Accessories: Remote controller X 1

⚠ Design and specifications are subject to change without notice.

PALSONIC CORPORATION PTY LTD
1 JOYNTON AVENUE
WATERLOO NSW 2017 AUSTRALIA
TEL: (02) 9313 7111
FAX: (02) 9313 7555
www.palsonic.com.au

**PALSONIC CUSTOMER SERVICE
TELEPHONE
AUSTRALIA: 1300 657 888**